

SIDE LOAD

CASE PACKER

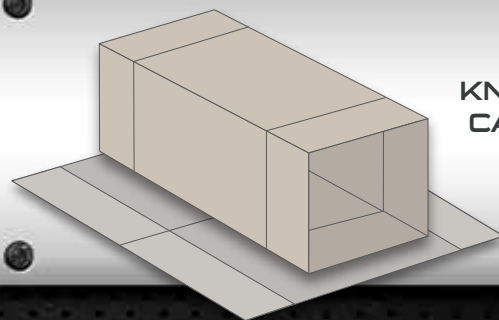
Side load case packer advantages include:

- Utilizes RSC case blanks
- Tape or glue closure



The side load case packer handles RSC blanks and loads the product through flap openers into the end on top of the case, in a fast and efficient manner to ensure trouble-free operation.

**CASE BLANK
CAPABILITIES**



**KNOCK DOWN
CASE BLANK**



MASSMAN
Automation Designs, LLC

320.554.3611 | WWW.MASSMANLLC.COM | SALES@MASSMANLLC.COM

Streamlining Production Through Automation™

SLCP MACHINE OVERVIEW:

ITEMS IN **BOLD** ARE STANDARD OFFERINGS

CASE BLANK CAPABILITIES:

Knock down (KD) type case blanks

- (optional) • tray style case blanks
- harness style case blanks
- full over lapping flaps (FOL)

INFEEED OPTIONS:

- (optional) • lane divider with grouping (ideal for bottles & jugs)
- high speed rotary upstacker (ideal for cartons)
- low speed bump upstacker (ideal for cartons)
- flood feed (ideal for cans)
- racetrack infeed (ideal for cartons & sleeved product)
- indexing paddles (ideal for cartons & sleeved product)

PRODUCT LOADING OPTIONS:

Servo driven cross push mechanism

MAGAZINE OPTIONS:

3' standard power-feed magazine

- (optional) • 6' power-feed magazine
- low level magazine
- dual blank magazine
- opposing cup case setup

GLUE SYSTEM:

NORDSON ProBlue® Series

- (optional) • inside manufacturers flap
- inline compression of manufacturers flap

GUARD DOORS:

Aluminum extruded frame with 1/4" clear or dark acrylic panels

- (optional) • stainless steel mesh panels

FRAME:

3"x3"x1/4" wall tubular mild steel frame

- (optional) • 300 series stainless steel
- 300 series stainless steel with no penetrations

FRAME FINISH:

Powder-coat polyester resin finish

ELECTRICAL:

Allen Bradley Human Machine Interface (HMI) Allen Bradley Panel View 700 with ethernet capabilities (wago)

- (optional) • Allen Bradley PV1000+ with ethernet capabilities

Allen Bradley compact logix PLC with ethernet capabilities

- (optional) • Allen Bradley control logix PLC with ethernet capabilities

Allen Bradley guard door switches (interlock doors)

Bosch indramat servo motors and drives

- (optional) • Allen Bradley Kinetic 6000 servo motors and drives

Allen Bradley 3-color light stack with audible alarm

NEMA 12 electrical enclosure with external power receptacle and computer port

- (optional) • NEMA 4x electrical enclosures and standards

Interface wireway

Category III safety circuit

480 VAC, 3Ø, 60 Hz

- (optional) • 240 VAC, 3Ø, 60 Hz

PNEUMATICS:

Busch dry vane vacuum pump

- (optional) • Venturi vacuum generators

SMC valves and cylinders

Parker fittings

- (optional) • Centralized enclosure

ADJUSTMENTS:

Digital indicator with handwheels

Power adjustment for movements over 12"